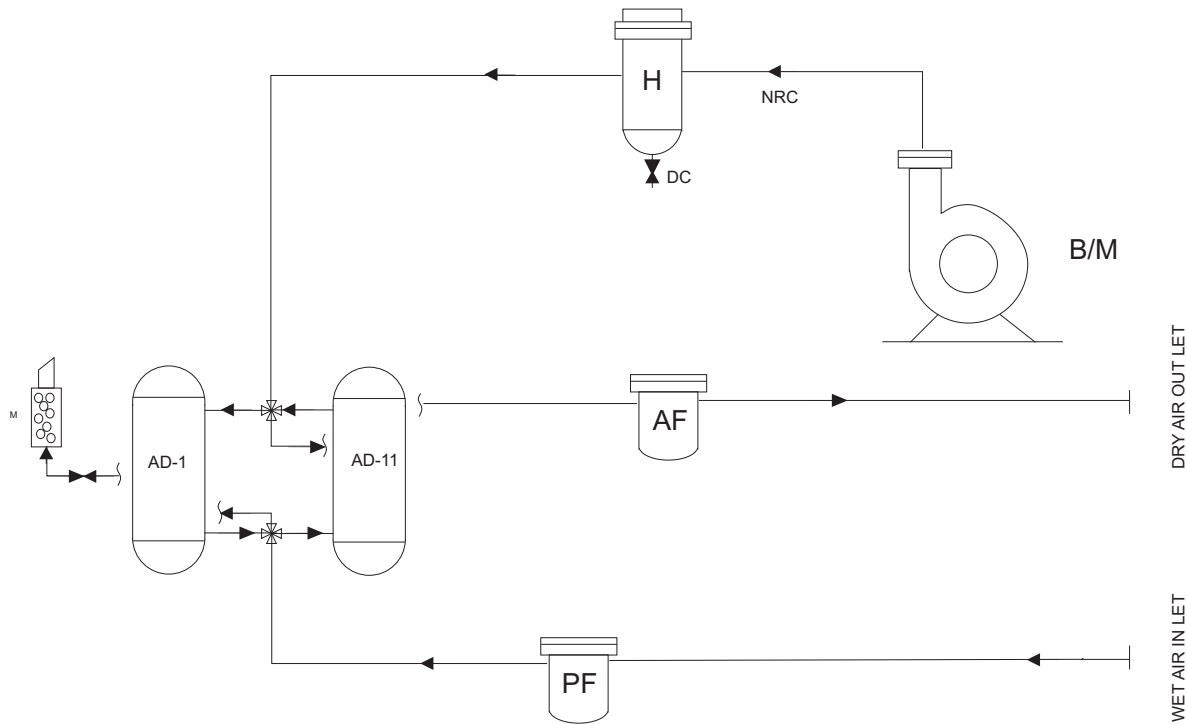
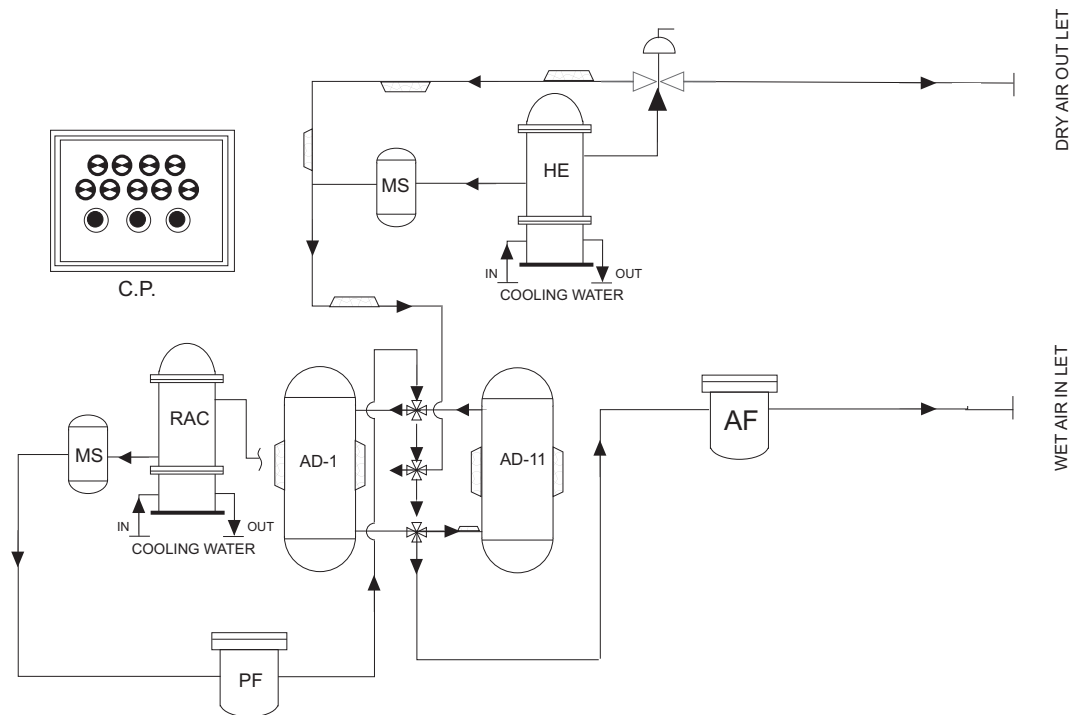


## P & I D OF BLOWER REACTIVATED AIR DRYER



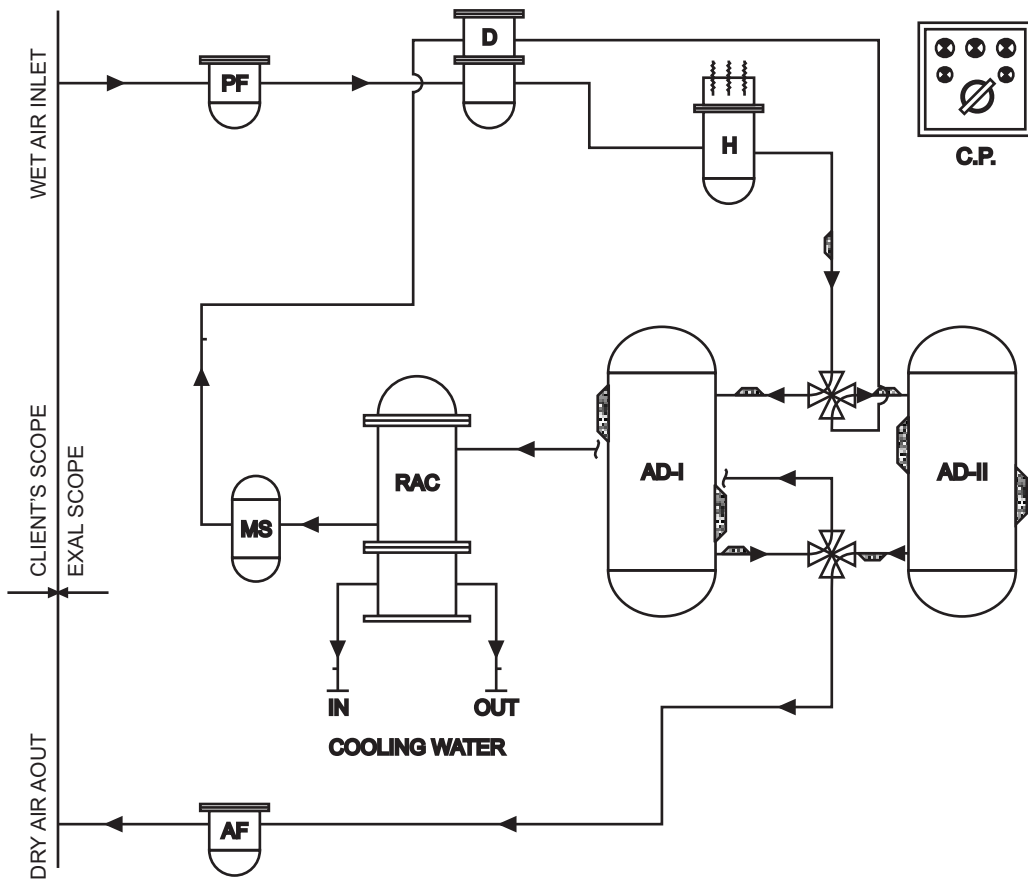
M	MUFFLER	1
F	FILTER	1
OL	OIL LUBRICATOR	1
LS	LIMIT SWITCH	2
PNA	PNEUMATIC AIR CYLINDER	1
DAP	DEW POINT APPRATUS	1
NV	NEEDLE VALVE	2
NRV	NON RETURN VALVE	1
PRV	PRESS REGULATING VALVE	1
TIC	TEMP INDICATOR CONTROLLER	1
SG	SIGHT GLASS	2
TG	TEMP GAUGE	6
PG	PRESS GAUGE	6
IV	ISOLATION VALVE	6
DC	DRAIN COCK	6
SFV	SAFETY VALVE	3
V	2 WAY VALVE	7
SV	SOLENOID VALVE	2
4SV	4 WAY SOLENOID VALVE	1
2DCV	2 WAY DIAPHRAGM VALVE	2
4WV	4 WAY VALVE	2
H	HEATER BOX	1
B / M	BLOWER WITH MOTER	1
AF	AFTER FILTER	1
PF	PREFILTER	1
AD-I & II	ADSORBER TOWER	2

## P & I D OF HEAT OF COMPRESSION TYPE AIR DRYER



DPA	DEW POINT APPRATUS	1
PNA	PNEUMATIC AIR CYLINDER	2
LS	LIMIT SWITCH	2
CP	CONTROL VALVE	1
PRV	PRESS REGULATING VALVE	1
F	FILTER	1
OL	OIL LUBRICATOR	1
SG	SIGHT GLASS	2
TIC	TEMP INDICATOR CONTROLLER	1
TG	TEMP GAUGE	5
PG	PRESS GAUGE	5
IV	ISOLATION VALVE	5
SFV	SAFETY VALVE	2
NV	NEEDLE VALVE	3
ADT\ST	AUTO DRAIN TRAP WITH STRAINER	3
DC	DRAIN VALVE	9
V	2 WAY VALVE	8
S	SOLENOID VALVE	1
4 SV	4 WAY SOLENOID VALVE	2
4 WV	4 WAY VALVE	3
3 DCV	3 WAY DIAPHRAGM ALVE	1
HE	AIR TO WATER HEAT EXCHANGER	1
AF	AFTER FILTER	1
PF	PRE FILTER	1
MS	MOISTURE SEPERATOR	1+1
RAC	REACTIVATION COOLER	1
AD-1&II	ADSORBER TOWER	2

## P & I D OF HEAT OF NO LOSS SPLIT FLOW DRYER



CP	CONTROL PANEL	1
SG	SIGHT GLASS	2
LS	LIMIT SWITCH	2
PNA	PNEUMATIC CYLINDER	1
F	FILTER	1
OL	OIL LUBRICATOR	1
DPA	DEW POINT APPRATUS	1
ADT/ST	AUTO DRAIN TRAP WITH STRAINER	2
TIC	TEMP INDICATOR CONTROLLER	2
TG	TEMP GAUGE	5
PG	PRESS GAUGE	3
IV	ISOLATION VALVE	3
NV	NEEDLE VALVE	2
DC	DRAIN COCK	9
SFV	SAFETY VALVE	3
V	2 WAY VALVE	6
4 SV	4 WAY SOLENOID VALVE	1
4 WV	4 WAY VALVE	2
A F	AFTER FILTER	1
MS	MOISTURE SEPERATOR	1
RAC	REACTIVATION COOLER	1
AD 1&II	ADSORBER TOWER	2
H	HEATER BOX	1
D	DISTRIBUTOR BOX	1
PF	PRE FILTER	1